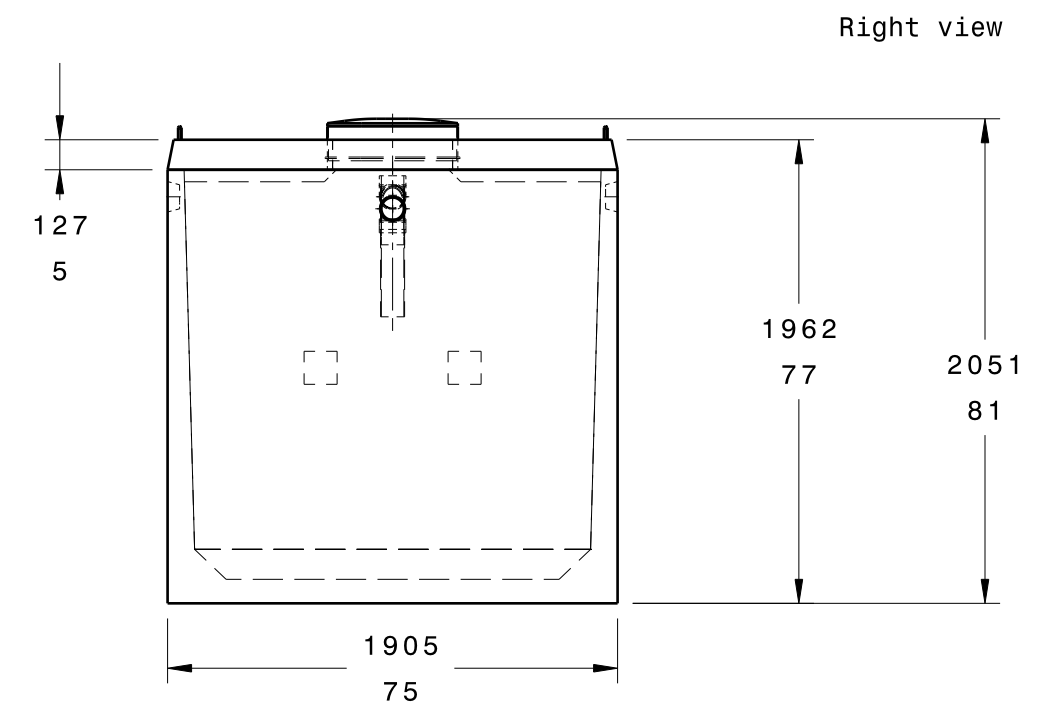
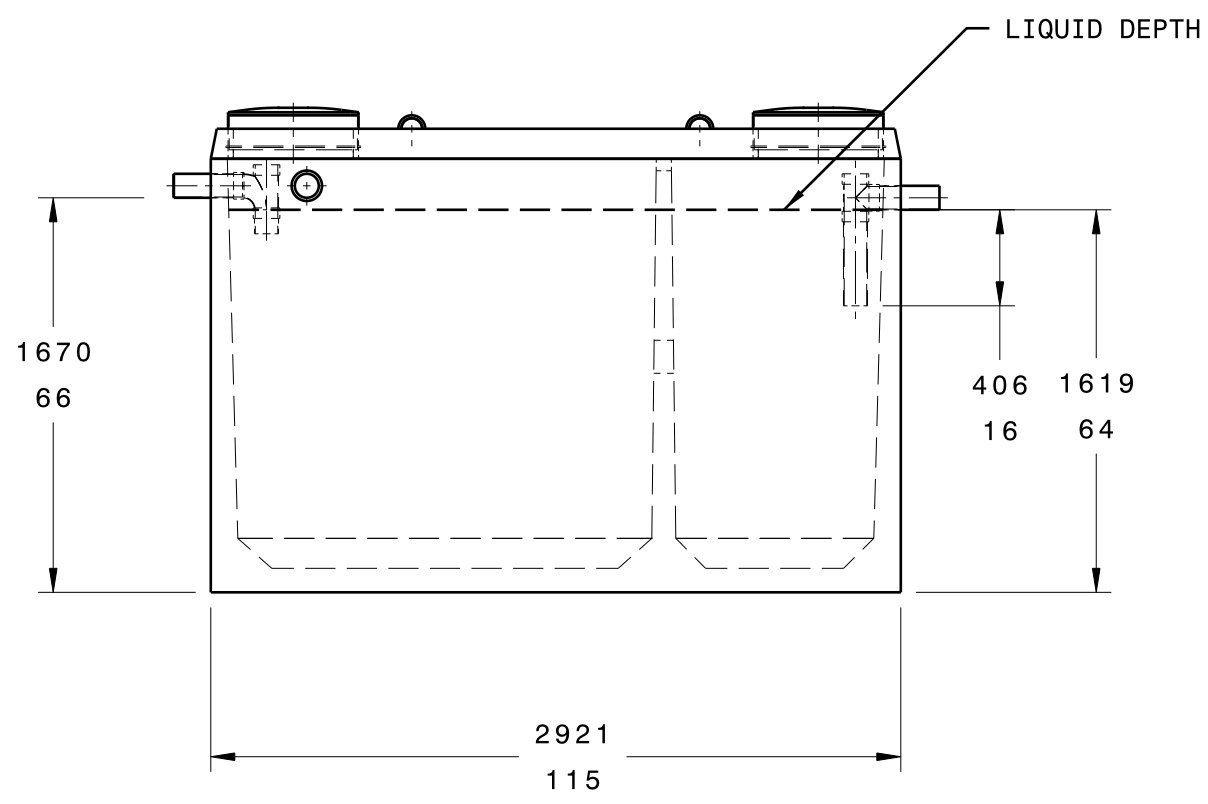
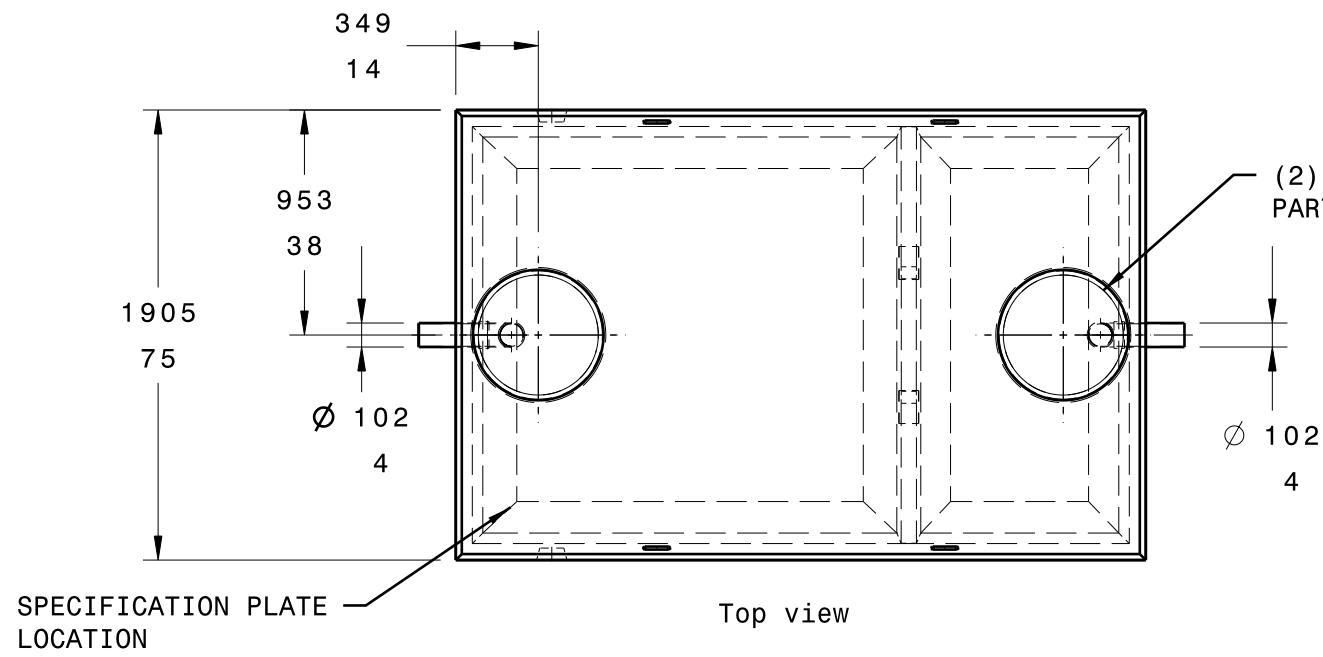


NOTE:
MATERIAL: CONCRETE 32MPa @ 28 DAYS, NON-SULFATE
AIR ENTRAINMENT: 5-7%
REINFORCEMENT: CAN/CSA-G30.18
CONSTRUCTION: MEETS CSA B66-05
TOTAL WEIGHT: 7000 kg (15435 LBS)
TOTAL VOLUME: 6900 L
MONOLITHIC CAST CHAMBER DIVIDER
INLET/OUTLET: CAST-IN 102mm (4") Ø GASKETED PVC COUPLER
BAFFLE: 102MM (4") Ø PVC
JOINT: N/A
ASSEMBLY: AT FACTORY
MAX. BURIAL DEPTH: 1.2M (47.25")
ALL DIMENSIONS IN MM
INCHES



DESIGNED BY: WJ Reid	REIDS PRECAST CEMENT PRODUCTS LTD R.R. 4 LANGTON, ON NOE 1G0 (519) 875-2121		I	-
DATE: 1/11/2007			H	-
CHECKED BY:	6900 LITRE (1500 IMP GAL) SEPTIC TANK		G	-
DATE:			F	-
SIZE B		DRAWING NUMBER 6900T	E	-
SCALE 1:32			WEIGHT (kg)	D
			C	-
			B	-
		SHEET 1/1	A	-

This drawing is our property; it can't be reproduced or communicated without our written agreement.